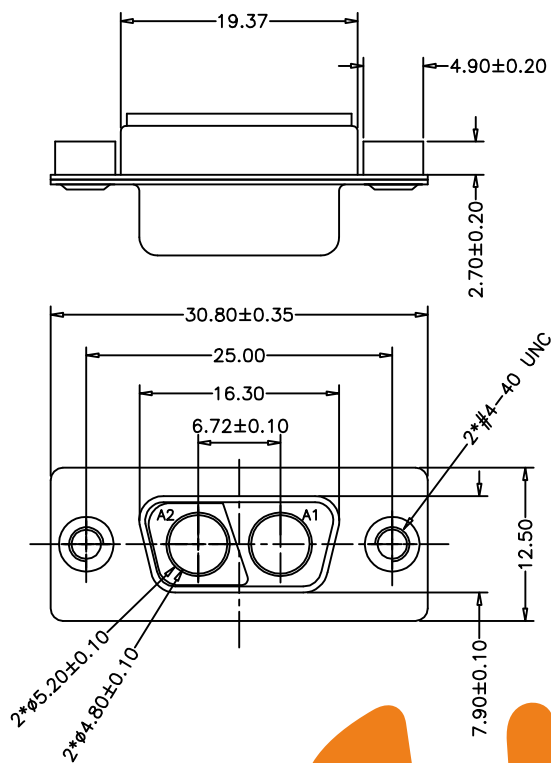


# Coaxial D-SUB 2V2 FEMALE Solder Cup

ROHS COMPLIANT



WWW.ASA-ELEC.COM

## ELECTRICAL CHARACTERISTICS:

Dielectric withstanding Voltage: AC 1000V r.m.s.  
 Insulation Resistance: 500 Megohms Minimum at DC 500V  
 Contact Resistance: 25 Milliohms  
 Operating Temperature: -20°C~+85°C

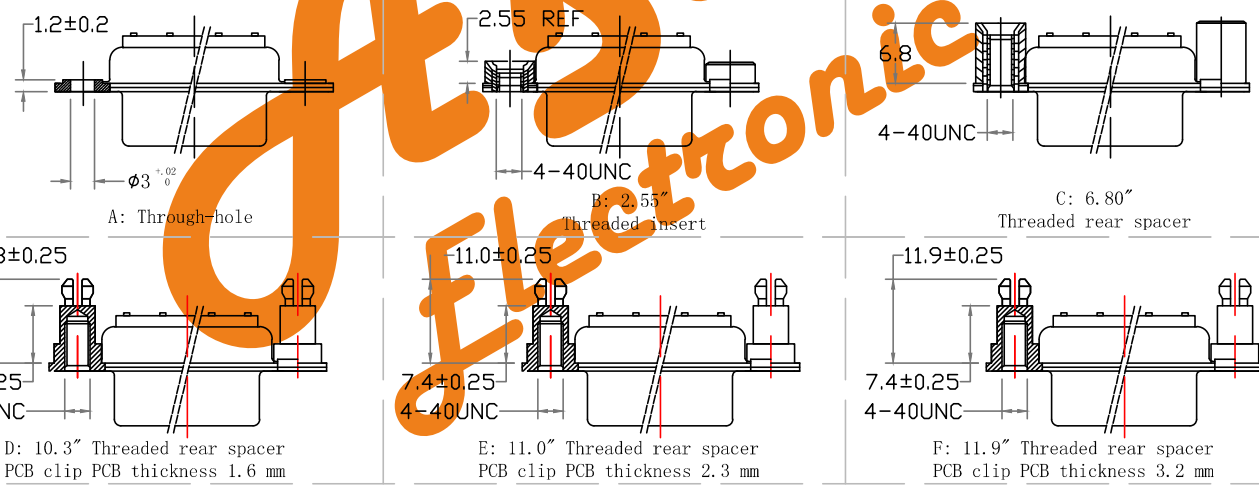
## MATERIALS:

Insulator: PBT, UL 94V-0 Rated  
 Shell: Cold Roller Steel

## Ordering Code:

|        |    |     |    |    |     |
|--------|----|-----|----|----|-----|
| PDC2V2 | -F | -G0 | -B | -X | -00 |
| ①      | ②  | ③   | ④  | ⑤  | ⑥   |

- ① Series
- ② Contact Type:  
M: Male F: Female
- ③ Contact NO. :  
G0: Gold flash G1: 3u" Gold  
G2: 5u" Gold G3: 10u" Gold  
G4: 15u" Gold G5: 30u" Gold
- ④ Insulation Color Code:  
B: Black L: Blue  
W: White
- ⑤ Mounting Option:  
A: Through-hole  
B: 2.55" Threaded insert  
C: 6.80" Threaded rear spacer  
D: 10.3" Threaded rear spacer  
E: 11.0" Threaded rear spacer  
F: 11.9" Threaded rear spacer  
PCB clip
- ⑥ Series



|   |   |
|---|---|
| Unless Otherwise specified tolerance<br>X.±0.35<br>X.X:±0.25<br>X.XX:±0.20<br>X.XXX:±0.15 | <br><b>ASA Electronic Co.</b><br>WWW.ASA-Elec.com<br>Tel : (+98) 21 66 73 56 82 Mob : (+98) 912 03 161 02 |
| SCALE: 1:1    UNIT: mm  |   |
| DRAWN: junfon H   | TITLE:  |
| CHECKED: YANG   | Coaxial D-SUB 2V2 FEMALE Solder Cup   |

|     |                       |         |
|-----|-----------------------|---------|
| REV | Add option of plating | 12/7/17 |
| 1   | DESCRIPTION           | DATE    |

|                          |                            |
|--------------------------|----------------------------|
| <br>3rd ANGLE PROJECTION | DRAWING NO: PDC2V2-FXXXX00 |
|                          | PRODUCT NO: PDC2V2-FXXXX00 |